

4

3

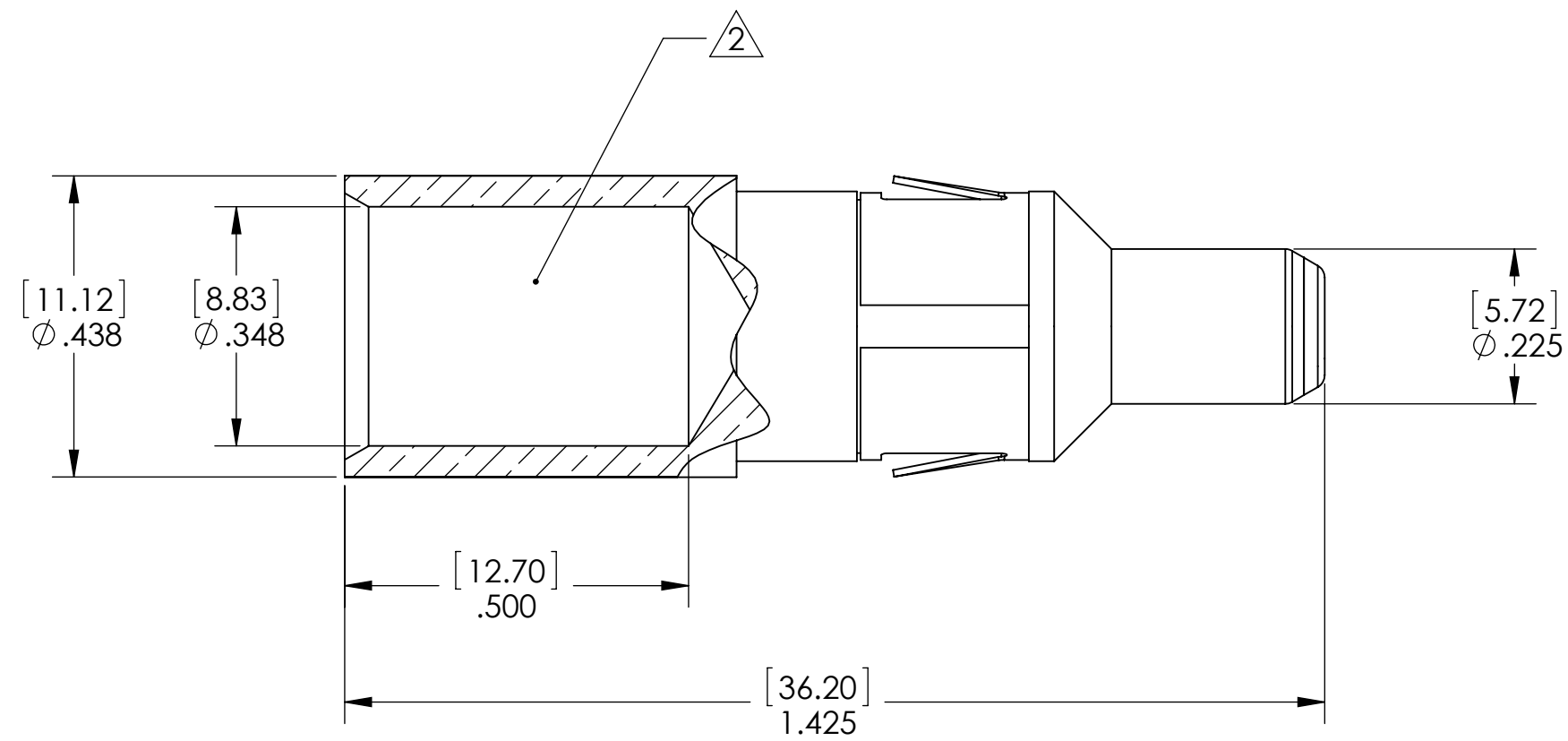
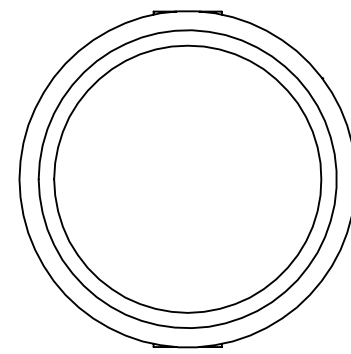
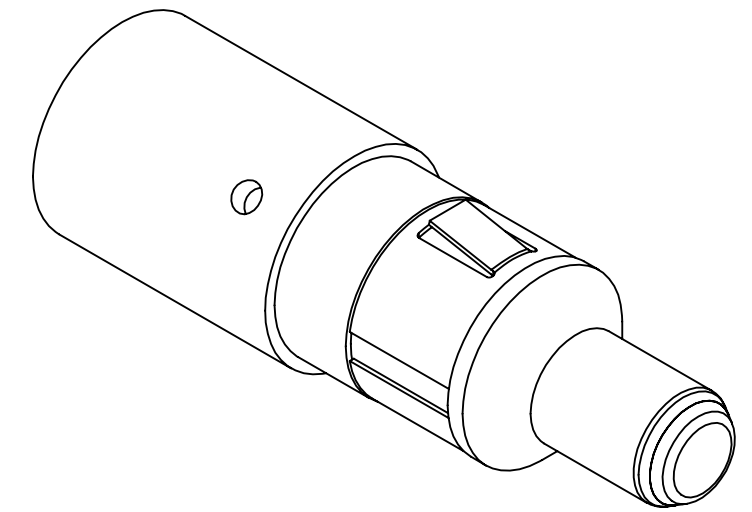
2

1

DO NOT SCALE DRAWING

THE INFORMATION CONTAINED HEREIN IS THE EXCLUSIVE PROPERTY OF VIRGINIA PANEL CORPORATION AND IS SUBMITTED FOR USE BY THE CUSTOMER ONLY. THE DATA SHALL NOT BE DUPLICATED, USED, OR DISCLOSED IN WHOLE OR IN PART FOR ANY PURPOSE OTHER THAN TO MAINTAIN THE EQUIPMENT PROVIDED. CONSULT WITH VIRGINIA PANEL CORPORATION ENGINEERING IF MORE DETAIL IS REQUIRED.

REVISIONS			
REV	DESCRIPTION	DATE	ENGR
A	DRAWING ORIGATION - ECN #4932	11/22/13	R HERRON



3. MATERIALS:
 CONTACT BODY - GOLD PLATED COPPER ALLOY
 PROTECTIVE TIP - THERMOPLASTIC
 RETAINING RING - NICKEL PLATED COPPER ALLOY

② CRIMP AREA DESIGNED SPECIFICALLY FOR 2 AWG COONER FLEXIBLE POWER CABLE, P/N AS105-14

1. FOR APPLICATION USE & CARE INFORMATION CONSULT VPC USERS GUIDE @WWW.VPC.COM

NOTES:

CUSTOMER DRAWING			
VIRGINIA PANEL CORPORATION WWW.VPC.COM			
ITA CONTACT 150 AMP POWER, 2 AWG			
DIMENSIONS ARE SHOWN AS:	SIZE	CAGE CODE	DWG. NO.
[MILLIMETERS]	C	18117	610150101
INCHES			REV A
SCALE: 4:1	610150101	7/8/13	SHEET 1 OF 1

4

3

2

1